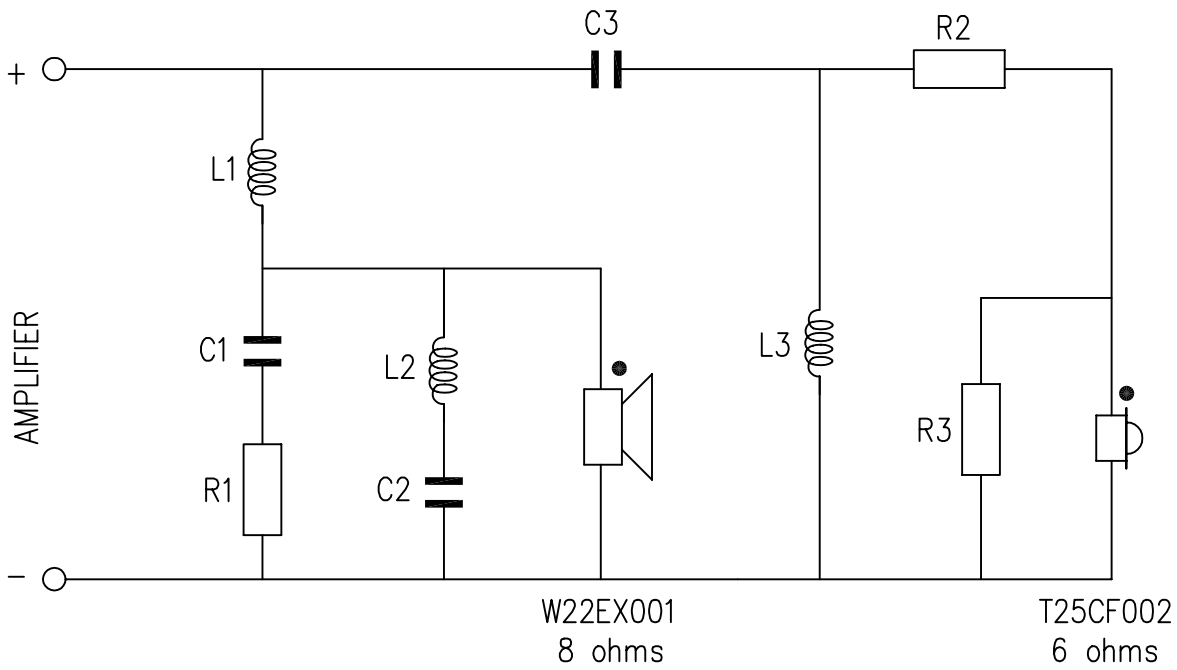


CROSSOVER NETWORK for TRYM



COILS	CAPACITORS	RESISTORS
L1=2,00mH - ø1.63mm (#14AWG)	C1 = 12µF	R1 = 4,0 ohms
L2=0,22mH - ø0,64mm (#22AWG)	C2 = 4,3µF	R2 = 3,3 ohms
L3=0,56mH - ø0,64mm (#22AWG)	C3 = 10µF	R3 = 22 ohms
Air-core	Polypropylene or polyester foil	Metalic oxide or non-inductive wire wound