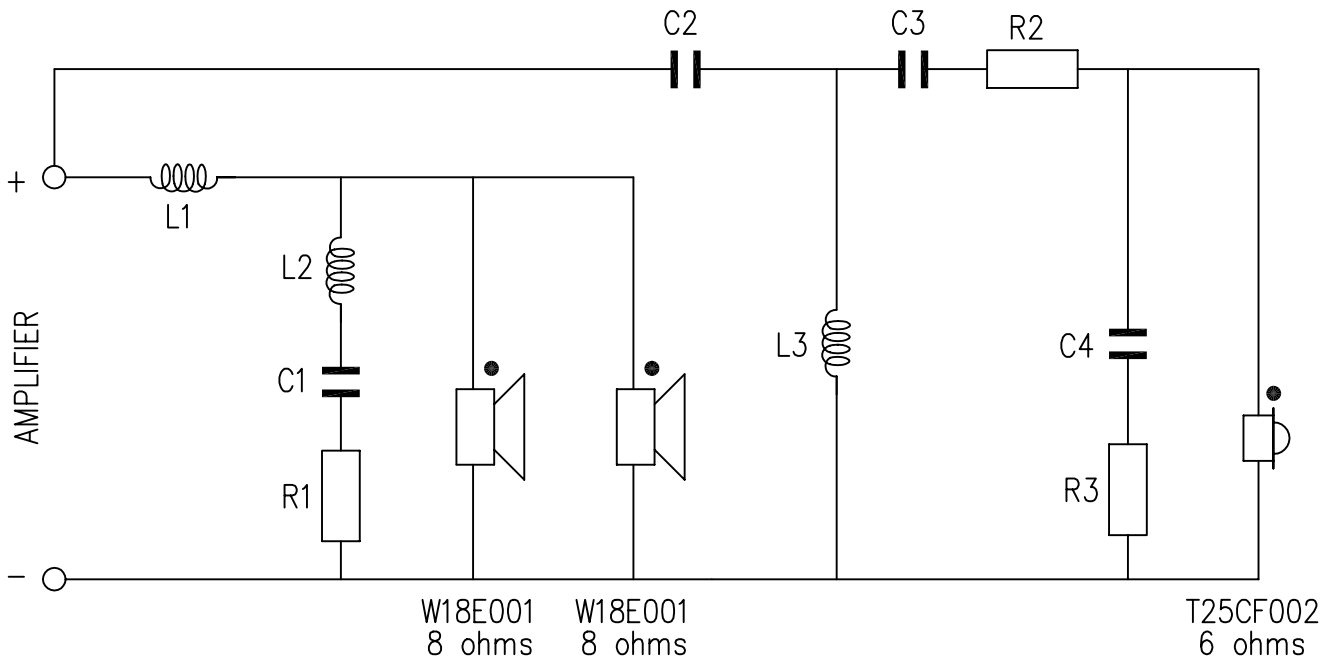


# CROSSOVER NETWORK for THOR and ODIN Mk3



COILS	CAPACITORS	RESISTORS
L1=1,00mH - ø1.63mm (#14AWG)	C1 = 8,2µF	R1 = 0,5 ohms
L2=0,15mH - ø0,81mm (#20AWG)	C2 = 8µF	R2 = 2,0 ohms
L3=0,24mH - ø0,81mm (#20AWG)	C3 = 18µF	R3 = 12,5 ohms
Air-core	C4 = 2,2µF	Metalic oxide or non-inductive wire wound
	Polypropylene or polyester foil	