

# CHN70 (Gen. 1)

Full-Range emitter

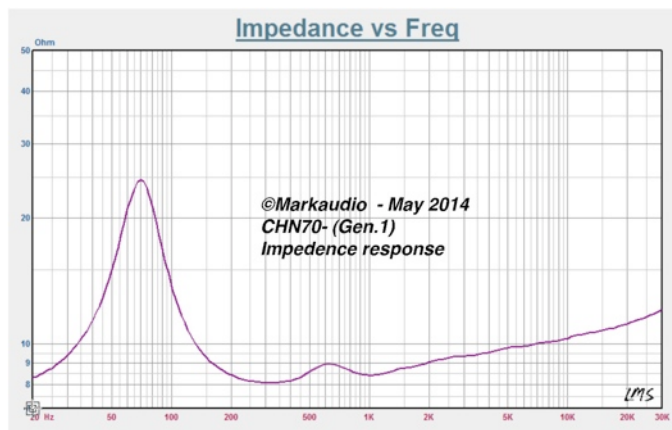
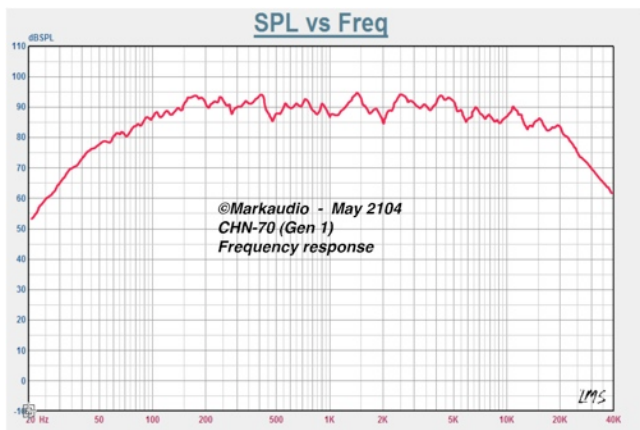


## CHN-70

The CHN70 is a Full Range design for use in many audio applications. Designed by Mark Fenlon and Evan Yu for use by audio end-users who want a high performance driver at a lower cost. The main features of the CHN70 are:

- 1 - Full Range operation (45Hz to 20kHz in box)
- 2 - Natural sound (near flat response)
- 3 - Long throw power-train design (Mech Xmax = 4mm 1 way)
- 4 - Heavy duty pressed steel frame, damped design
- 5 - Easy surface mounting installation

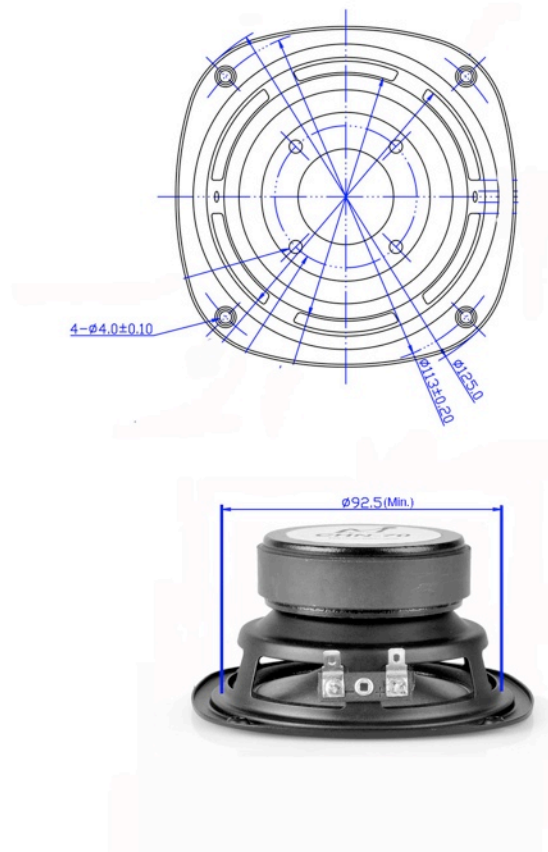
The cone, coil and suspensions are all-new design. Its profile shape is unique to this driver, to give it a neutral musical tone. The frame is made from 0.8mm high quality pressed steel with synthetic damping coating to reduce vibrations and for best environmental protection. The CHN's sound character is natural, especially suitable for vocal reproduction. The CHN70 is suitable for sealed and ported box designs from 4 litres to 12 litres volume. Other box designs can also be used.





Revc=	5.0 Ohm
Fo=	71.62 Hz
Sd=	50.270 cm <sup>2</sup>
Vas=	5.31 Ltr
Cms=	1.479m M/N
Mmd=	3.134 g
Mms=	3.339 g
BL=	3.403 TM
Qms=	1.848
Qes=	0.649
Qts=	0.480
Levc=	17.917u H
No=	0.291 %
SPLo=	86.652 dB
Xmax=	4mm (1 way)
Pwr=	18 watts Nom.

©Markimage Limited - Markaudio - CHN70 (0.7) frame



Small to medium sized speakers are usually lower power designs. The power rating is given in the technical data for each audio driver. For a reliable long service life, please operate your new speakers with care.

For the first 100 hours, operate them at very low volumes. After this period, gradually increase the volume to a normal listening level. If you see the cone of the speakers making large movements, immediately turn the volume down. This will protect the speaker and your human hearing from damage. Factory mechanical defects for a period of 2 year. Excessive hard use (over-driving) and other damage caused during customer use is excluded from our warranty.