

Alpair 6P (paper cone) Generation 2 mini-fullrange emitter

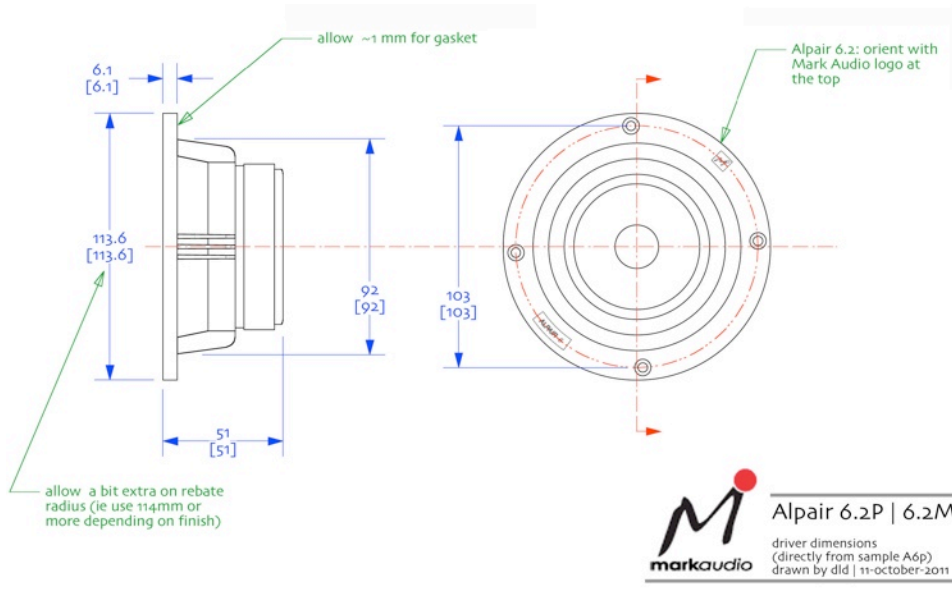


Following many requests from audiophiles, the Alpair 6P is designed to deliver accurate musical reproduction from a mini-size speaker driver. The result is a sensitive audio driver suited to audiophiles who run high quality amplification and source components. The Alpair 6P will please those listeners who concentrate on detail and neutrality.

The Alpair 6P has a new cone design, Multi-form using advanced ultra-light mixed papers. The colour is specific to this design . Also included is a new advanced Nomex rear suspension and an low mass aluminium coil to reduce the mass of the power-train. This Alpair has a new mix of polymers for the frame, making it 10% stiffer than the first model. Finally, new design connector sets allow for remote soldering of cables, installation is easy.



Alpair 6P	parameters:	
Driver	4.0 Ohm	
Revc	3.80 Ohm	
Fo	74 Hz	
Sd	36.3 Cm ²	
Vas	3.6 Ltr	
Cms	1.97 m M/N	
Mmd	2.20 g	
Mms	2.32 g	
BL	2.67 T·M	
Qms	1.78	
Qes	0.57	
Qts	0.43	
Levc	6.94 u H	
No	0.255 %	
SPLo	86.0 dB	
Xmax	4 mm (1 way)	
Power	15 watts nom. 30 Max	
Coil	18-mm dia. Alu-CCAW	



Small to medium sized speakers are usually lower power designs. The power rating is given in the technical data for each audio driver. For a reliable long service life, please operate your new speakers with care. For the first 100 hours, operate them at very low volumes. After this period, gradually increase the volume to a normal listening level. If you see the cone of the speakers making large movements, immediately turn the volume down. This will protect the speaker and your human hearing from damage. Factory mechanical defects for a period of 1 year. Excessive hard use (over-driving) and other damage caused during customer use is excluded from our warranty.

