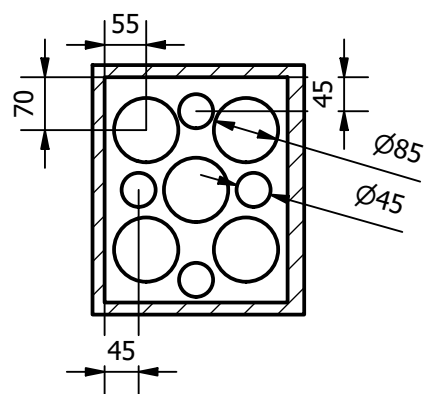


B-B (1 : 10)



Dimensions are in mm.

Material: 16mm MDF,
front baffle and braces are 22mm MDF

All internal walls apart from baffle are fitted
with 4mm Bitumen and then 10mm wool felt.

**This drawing is only
for private and
non-commercial use.**

Designed by haavard	Checked by	Approved by	Date	Date 08.03.2024
		SEAS_Aphel_cab		
		Edition	Scale	